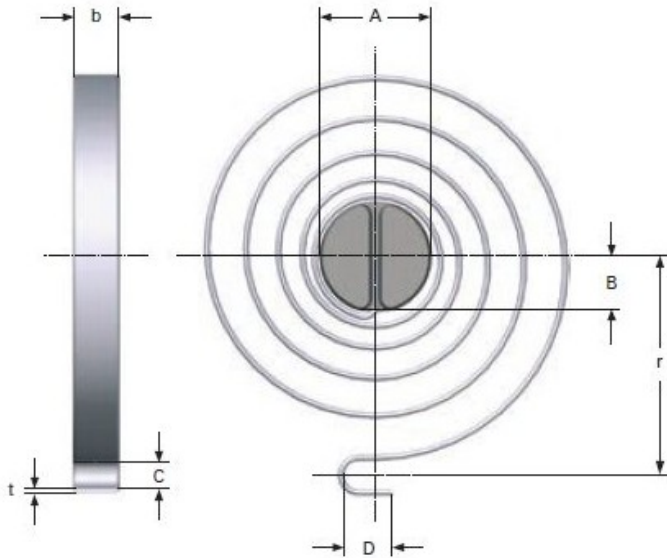


Product title:

# CLOCK SPRING M20LE938

Product image:



Product price:

**€215.00**

Product short description:

CLOCK SPRING

Product features:

TOTAL COILS: 8  
RAW MATERIAL THICKNESS: 3  
BAND WIDTH: 18  
SHAFT DIAMETER: 32  
LEG LENGTH: 12  
TAIL WIDTH: 12.5  
CENTER RADIO SPRING UNTIL FIXATION: 90  
LONG TAIL HITCH: 18  
RATE PER DEGREE OF TORQUE: 62.8  
MAXIMUM TORQUE Nmm (10000): 36450  
100000 CYCLES MAX. AT TORQUE ANGLE: 465  
MAXIMUM TORQUE Nmm (100000): 29160  
10038 CICLOS MAX. EN ANGULO DE TORSION: 581

Product description:

Clock springs made of stainless material according to EN 10270-3-1.4310

rounded edges to improve fatigue.

All dimensions are in mm