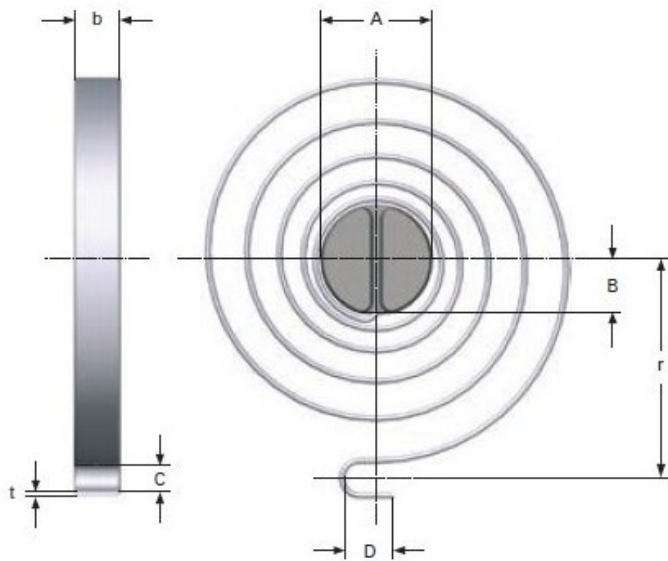


Product title:

# CLOCK SPRING M20LE932

Product image:



Product price:

**€63.00**

Product short description:

CLOCK SPRING

Product features:

TOTAL COILS: 5  
RAW MATERIAL THICKNESS: 2.5  
BAND WIDTH: 15  
SHAFT DIAMETER: 28  
LEG LENGTH: 10  
TAIL WIDTH: 10.4  
CENTER RADIO SPRING UNTIL FIXATION: 48  
LONG TAIL HITCH: 15  
RATE PER DEGREE OF TORQUE: 79.5  
MAXIMUM TORQUE Nmm (10000): 21094  
100000 CYCLES MAX. AT TORQUE ANGLE: 212  
MAXIMUM TORQUE Nmm (100000): 16875  
10032 CICLOS MAX. EN ANGULO DE TORSION: 265

Product description:

Clock springs made of stainless material according to EN 10270-3-1.4310

rounded edges to improve fatigue.

All dimensions are in mm