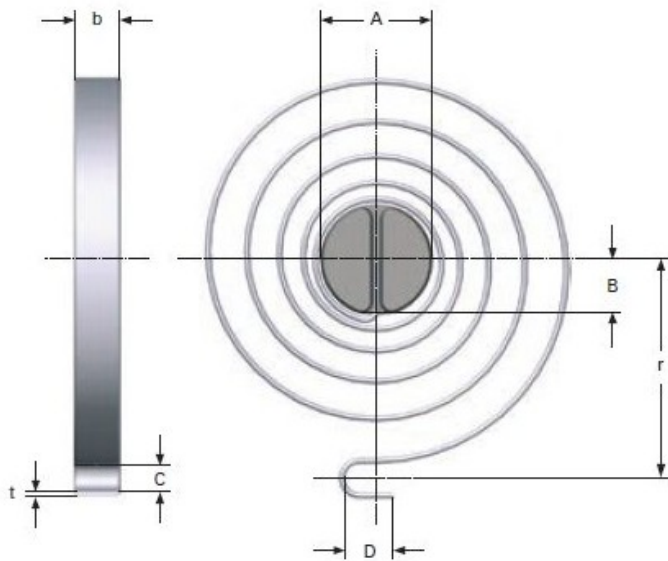


Product title:

## CLOCK SPRING M20LE925

Product image:



Product price:

**€32.00**

Product short description:

CLOCK SPRING

Product features:

TOTAL COILS: 5  
RAW MATERIAL THICKNESS: 1.5  
BAND WIDTH: 15  
SHAFT DIAMETER: 20  
LEG LENGTH: 7  
TAIL WIDTH: 6.3  
CENTER RADIO SPRING UNTIL FIXATION: 33  
LONG TAIL HITCH: 9  
RATE PER DEGREE OF TORQUE: 24.1  
MAXIMUM TORQUE Nmm (10000): 8100  
100000 CYCLES MAX. AT TORQUE ANGLE: 269  
MAXIMUM TORQUE Nmm (100000): 6480  
10025 CICLOS MAX. EN ANGULO DE TORSION: 336

Product description:

Clock springs made of stainless material according to EN 10270-3-1.4310

rounded edges to improve fatigue.

All dimensions are in mm