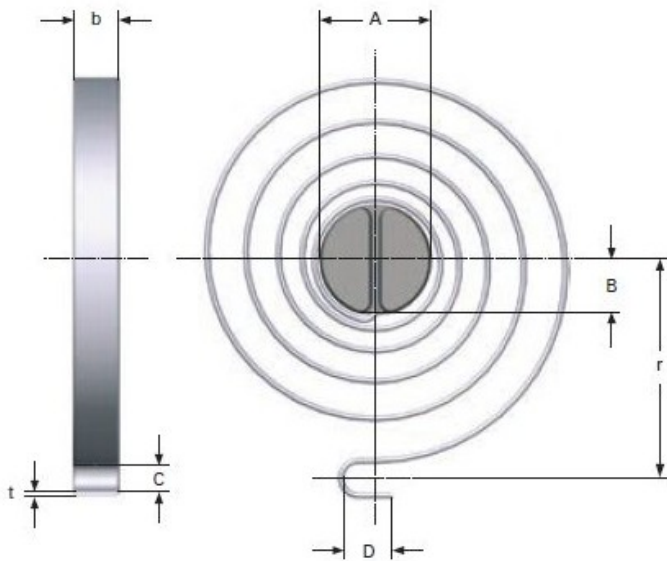


Product title:

CLOCK SPRING M20LE902

Product image:



Product price:

€16.00

Product short description:

CLOCK SPRING

Product features:

TOTAL COILS: 8
RAW MATERIAL THICKNESS: 0.5
BAND WIDTH: 3
SHAFT DIAMETER: 7
LEG LENGTH: 2.5
TAIL WIDTH: 2.7
CENTER RADIO SPRING UNTIL FIXATION: 21
LONG TAIL HITCH: 3.5
RATE PER DEGREE OF TORQUE: 0.26
MAXIMUM TORQUE Nmm (10000): 198
100000 CYCLES MAX. AT TORQUE ANGLE: 610
MAXIMUM TORQUE Nmm (100000): 158
10002 CICLOS MAX. EN ANGULO DE TORSION: 762

Product description:

Clock springs made of stainless material according to EN 10270-3-1.4310

rounded edges to improve fatigue.

All dimensions are in mm