

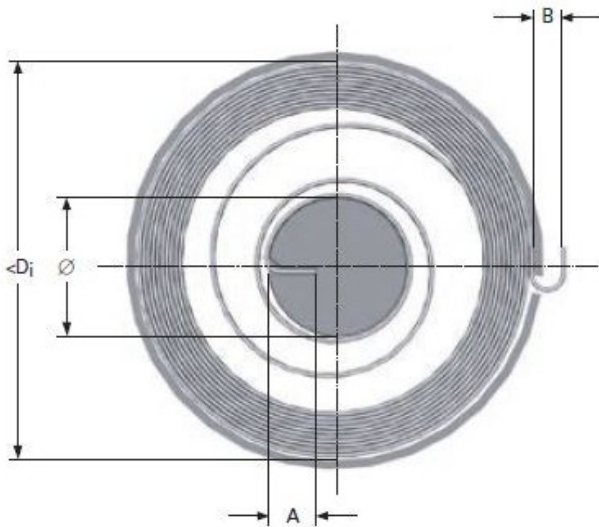
Product title:

# MOTOR SPRING M16LE61716

Product image:

Product price:

**€181.50**



Product short description:

MOTOR SPRING M16LE61716

Product features:

INSIDE DIAMETER: 145  
TOTAL COILS: 10  
RAW MATERIAL THICKNESS: 0.66  
BAND WIDTH: 25  
SHAFT DIAMETER: 30  
LEG LENGTH: 8  
TORQUE: 1530  
MAXIMUM TORQUE: 3920  
TAIL WIDTH: 8