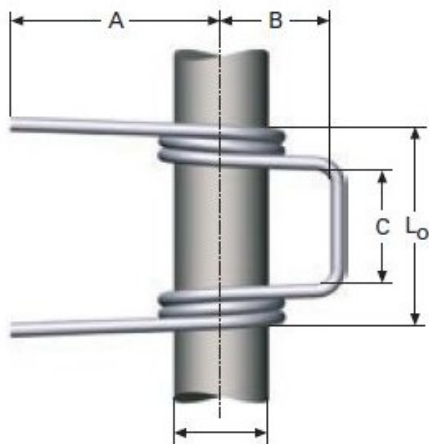


Product title:

Double torsion spring according to DIN 2089

Product image:



Product price:

€21.80

Product short description:

Muelle de doble torsion LEDT8590

Product features:

FREE ANGLE POSITION: A
SKU: LEDT8590
LENGTH LEGS: 70
SHAFT DIAMETER: 15
FRAME LENGTH: 24
FRAME WIDTH: 21
LENGTH BETWEEN LEGS: 41
INSIDE DIAMETER: 17
WIRE DIAMETER: 2.5
RAW MATERIAL: EN 10270-3 1.4310
COILS ON EACH BODY: 3
MAXIMUM PERMITTED TORQUE: 3510
TORQUE ANGLE AT MN (?): 50

Product description:

- Double torsion spring according to DIN 2089
- Brand name: LESJÖFORS Springs
- Raw material: Stainless steel;EN 10270-3-1.4310
- Cycles guarantee : Infinite if working without reaching yield point
- All measures are in N. and mm.

{tab Delivering time}

{article 8 days delivering time} {text} {/article}

{tab Technical information}

Coming soon

{tab Other informations}

{/tabs}