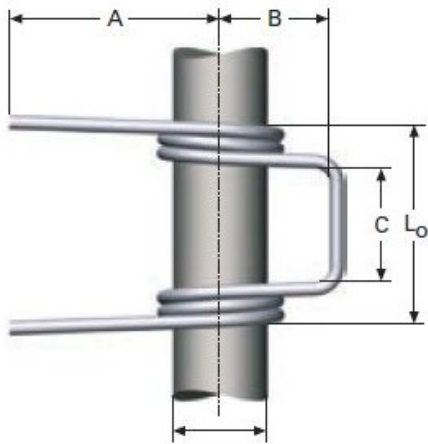


Product title:

Double torsion spring according to DIN 2089

Product image:



Product price:

€12.75

Product short description:

Muelle de doble torsion LEDT8563

Product features:

Location:

FREE ANGLE POSITION: B

SKU: LEDT8563

LENGTH LEGS: 35

SHAFT DIAMETER: 6

FRAME LENGTH: 10

FRAME WIDTH: 8.5

LENGTH BETWEEN LEGS: 18.5

INSIDE DIAMETER: 7

WIRE DIAMETER: 1

RAW MATERIAL: EN 10270-3 1.4310

COILS ON EACH BODY: 4.25

MAXIMUM PERMITTED TORQUE: 254

TORQUE ANGLE AT MN (?): 81

Product description:

- Double torsion spring according to DIN 2089
- Brand name: LESJÖFORS Springs
- Raw material: Stainless steel;EN 10270-3-1.4310
- Cycles guarantee : Infinite if working without reaching yield point
- All measures are in N. and mm.

{tab Delivering time}

{article 8 days delivering time} {text} {/article}

{tab Technical information}

Coming soon

Coming soon

{/tabs}