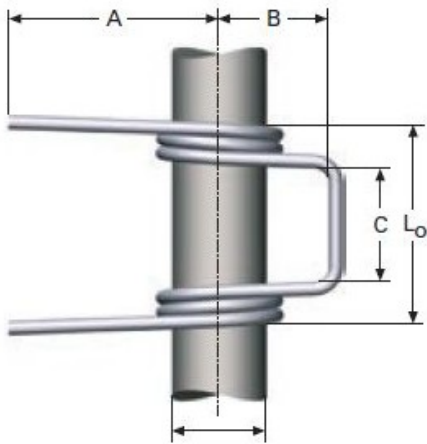


Product title:

Double torsion spring according to DIN 2089

Product image:



Product price:

€9.49

Product short description:

Muelle de doble torsion LEDT8553

Product features:

Location:
FREE ANGLE POSITION: C
SKU: LEDT8553
LENGTH LEGS: 25
SHAFT DIAMETER: 5
FRAME LENGTH: 8
FRAME WIDTH: 7.5
LENGTH BETWEEN LEGS: 12
INSIDE DIAMETER: 6
WIRE DIAMETER: 0.75
RAW MATERIAL: EN 10270-3 1.4310
COILS ON EACH BODY: 2.5
MAXIMUM PERMITTED TORQUE: 110
TORQUE ANGLE AT MN (?): 55

Product description:

- Double torsion spring according to DIN 2089
- Brand name: LESJÖFORS Springs
- Raw material: Stainless steel;EN 10270-3-1.4310
- Cycles guarantee : Infinite if working without reaching yield point
- All measures are in N. and mm.

{tab Delivering time}

{article 8 days delivering time} {text} {/article}

{tab Technical information}

Coming soon

Coming soon

{/tabs}