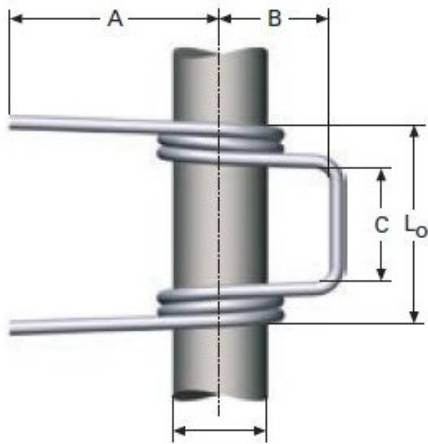


Product title:

## Double torsion spring according to DIN 2089

Product image:



Product price:

**€8.91**

Product short description:

Muelle de doble torsion LEDT8540

Product features:

FREE ANGLE POSITION: D  
SKU: LEDT8540  
LENGTH LEGS: 20  
SHAFT DIAMETER: 3  
FRAME LENGTH: 5  
FRAME WIDTH: 5.5  
LENGTH BETWEEN LEGS: 9.5  
INSIDE DIAMETER: 3.5  
WIRE DIAMETER: 0.5  
RAW MATERIAL: EN 10270-3 1.4310  
COILS ON EACH BODY: 2.75  
MAXIMUM PERMITTED TORQUE: 33.4  
TORQUE ANGLE AT MN (?): 55

Product description:

- Double torsion spring according to DIN 2089
- Brand name: LESJÖFORS Springs
- Raw material: Stainless steel;EN 10270-3-1.4310
- Cycles guarantee : Infinite if working without reaching yield point
- All measures are in N. and mm.

{tab Delivering time}

{article 8 days delivering time} {text} {/article}

{tab Technical information}

Coming soon

{tab Other informations}

Coming soon

{/tabs}